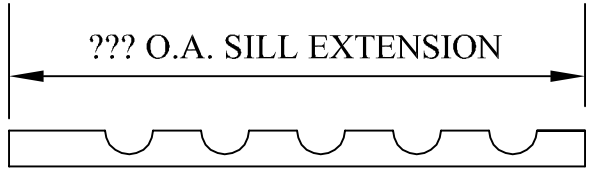
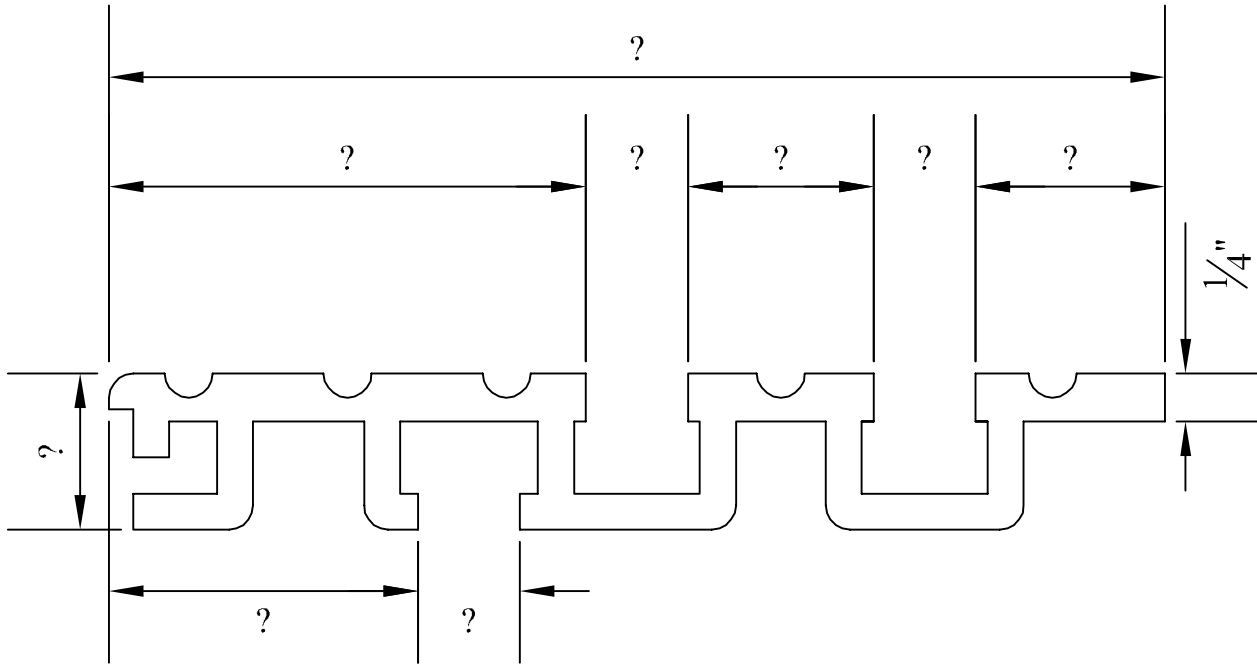


JOB	JOB NO.
LOCATION	DATE
FOR	SHEET NO.
DETAILS OF 2-SPEED SILL HOISTWAY SURVEY SHEET	

_____ **SILL LENGTH**



_____ **EXTENSION LENGTH**

CIRCLE THE SILL MATERIAL
NICKEL-SILVER, BRONZE, ALUMINUM, OR STAINLESS STEEL